

SKF Telescopic pillar

For medical procedure equipment
– series CPMT

Benefits

- Low retracted height
- High stroke
- High load capacity
- High safety and reliability
- Design flexibility

Standards

- IEC 60601-1:2005
- ANSI/AAMI ES60601-1:2005
- IEC 60601-1-2:2007



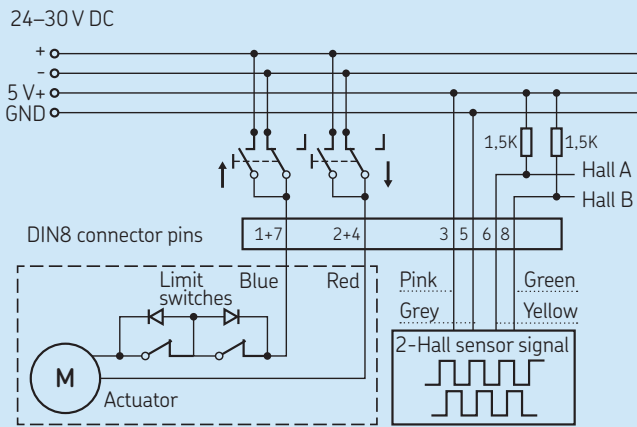
Suitable control units and operating devices

	SCU 1	SCU 5	SCU 9	VCU 5	VCU 8	VCU 9	BCU 5*	BCU 8*
CPMT	●	●	●	●	●	●	●	●
EHA	●	●	●	●	●	●	●	●
STJ	●	●	●	●	●	●	●	●

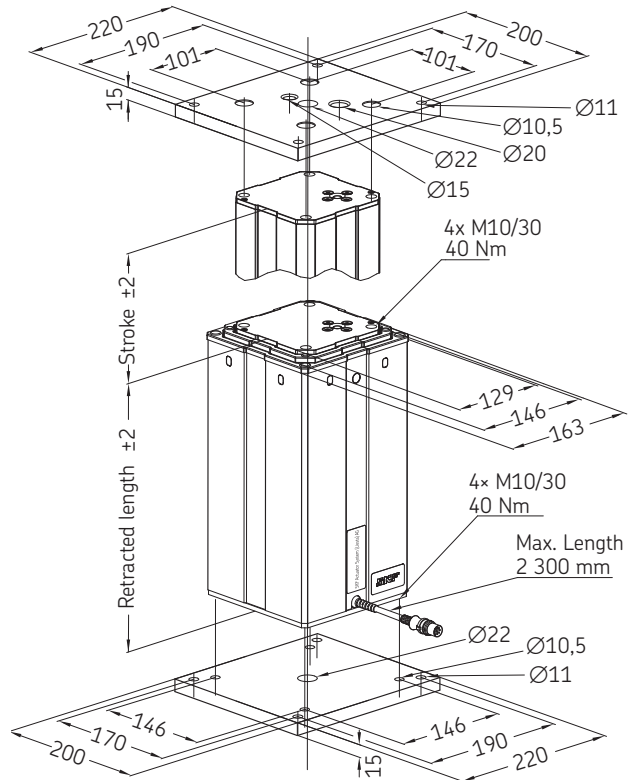
Hand switch
 Foot switch

* Reduced load capacity:
 CPMT1-1 up to 3 000 N
 CPMT1-2 up to 4 000 N

Connecting diagram



Dimensional drawing



Technical data

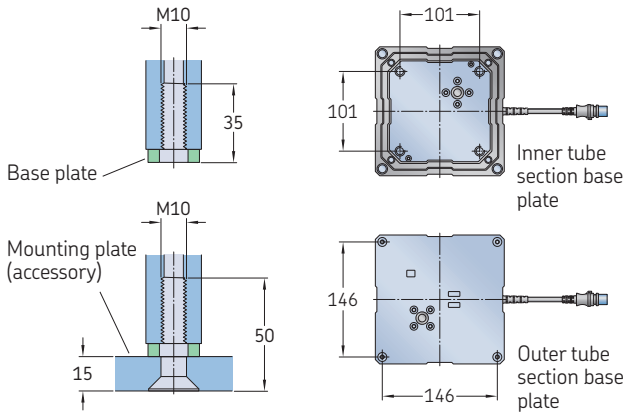
	Unit	CPMT1-1S	CPMT1-1M	CPMT1-2S	CPMT1-2M
Rated push load	N	5 000	5 000	6 000	6 000
Rated pull load	N	4 000	4 000	4 000	4 000
Static load (push) ¹⁾	N	15 000	15 000	15 000	15 000
Safety factor on rated load ²⁾		4	4	4	4
Dynamic bending moment	Nm	up to 450 ³⁾	up to 1 200 ³⁾	up to 550 ³⁾	up to 1 400 ³⁾
Static bending moment (max.)	Nm	1 000	3 000	1 000	3 000
Retracted length	mm	stroke/2 + 120 mm	stroke/2 + 240 mm	stroke/2 + 120 mm	stroke/2 + 240 mm
Stroke (S)	mm	400 to 600	300 to 600	400 to 600	300 to 600
Speed	mm/s	14 to 34	14 to 34	12 to 26	12 to 26
Voltage	V DC	24 to 30	24 to 30	24 to 30	24 to 30
Current (push, max.)	A	12	12	10	10
Current (pull, max.)	A	10	10	7	7
Duty cycle	on/off	1 min./9 min.	1 min./9 min.	1 min./9 min.	1 min./9 min.
Ambient temperature	°C	+10 to +40	+10 to +40	+10 to +40	+10 to +40
IP protection		20	20	20	20
Weight	kg	16,5 to 20	19 to 23,5	16,5 to 20	19 to 23,5

¹⁾ Compliant with static load according to IEC 60601-2-46:2010
²⁾ Static tensile safety factor to prevent mechanical hazard according to IEC 60601-1:2005
³⁾ For details, see offset load diagrams

Telescopic pillar

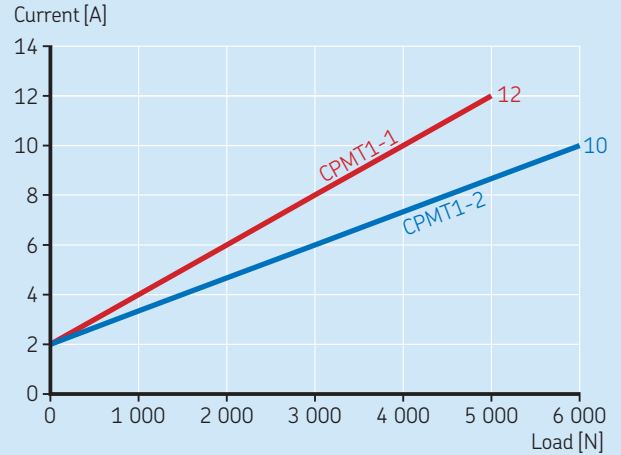
For medical procedure equipment CPMT

Mounting details



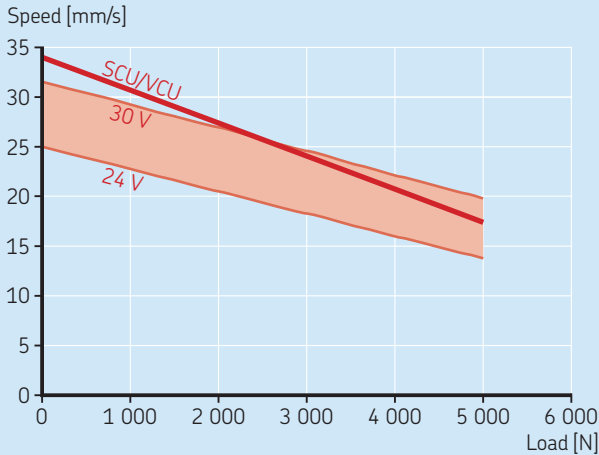
The pillar must be mounted on a plane and rigid surface by 4 screws M10 (accessory) with a screw in depth of 25 to 35 mm in the pillar.

Current diagram

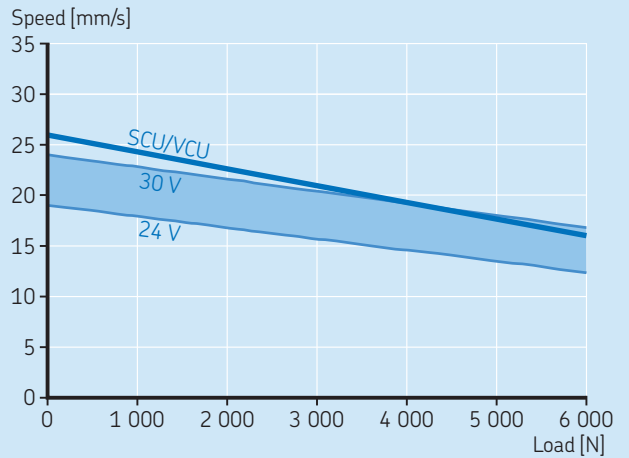


Speed-load diagram

CPMT1-1

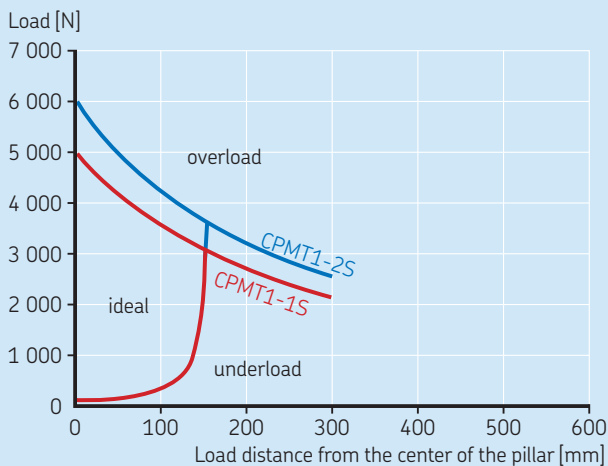


CPMT1-2



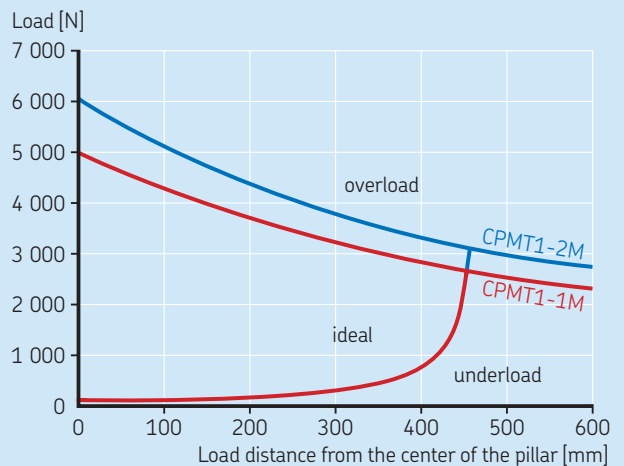
Offset load diagram

CPMT1-1S, -2S



Offset load at full extension

CPMT1-1M, -2M



Offset load at full extension

Type key

Type

Voltage

24–30 V DC

Load

Push (N)	Pull (N)
5 000	4 000
6 000	4 000

Retracted length

Stroke/2 + 120 mm
Stroke/2 + 240 mm

Stroke length (mm)

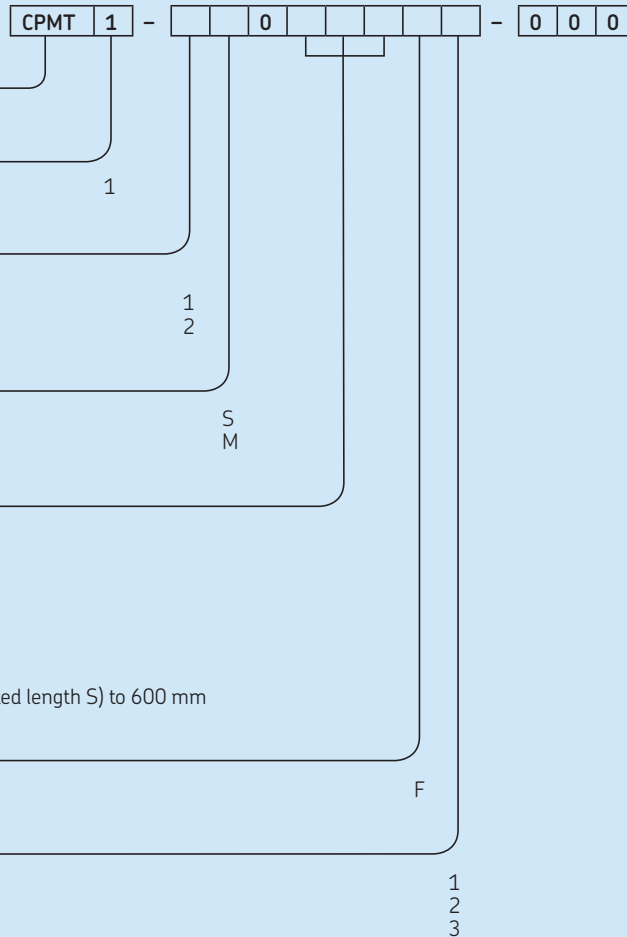
300	Only for retracted length M
350	Only for retracted length M
400	
450	
500	
550	
600	
Other	per 10 mm from 300 mm (or 400 mm for retracted length S) to 600 mm

Electrical options

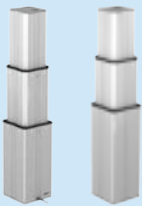
2-Hall encoder, end limit switches

Cable options

1 m DIN8 cable
2,3 m DIN8 cable
2,3 m flying leads cable



Configuration options



Option S Option M



DIN8 or flying leads cable for connector flexibility

Additional attachment options

Optional threads on outer tube section can be configured for additional attachment options. Please contact SKF for more details.

- Choice in size and position
- High strength to support attached actuators



Accessories

Description	Part number
Control Unit SCU (3 or 6 ports)	SCUXX-003XXX-000
Control Unit VCU (3 or 5 ports)	VCUXX-003XX0-000
Control Unit BCU (3 ports)	BCUX3-XX3100-0000
Foot switch STJ (1-3 channels)	STJ0X-XXXXXX-XX00
Hand switch EHA3 (1-5 channels)	EHA3X-23MXXN-000

Accessories

Description	Part number
Top mounting plate	SPL-290268
Bottom mounting plate	SPL-290265
Screw (4/plate) for mounting plate	ZBE-510707

© SKF is a registered trademark of the SKF Group.

© SKF Group 2014

The contents of this publication are the copyright of the publisher and may not be reproduced (even extracts) unless prior written permission is granted. Every care has been taken to ensure the accuracy of the information contained in this publication but no liability can be accepted for any loss or damage whether direct, indirect or consequential arising out of the use of the information contained herein.

PUB MT/14 13960 EN · February 2014

