

# SKF Vibracon kit for alignment of resilient mounts

## Related products



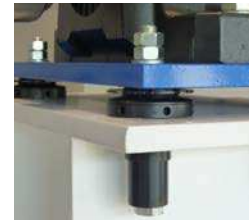
SKF Shaft Alignment Tools



SKF spherical washers



SKF Vibracon chocks



SKF Vibracon low profile chock and spherical washer

### Downloads/Contact details:



[vibracon@skf.com](mailto:vibracon@skf.com)

[www.vibracon.com](http://www.vibracon.com)

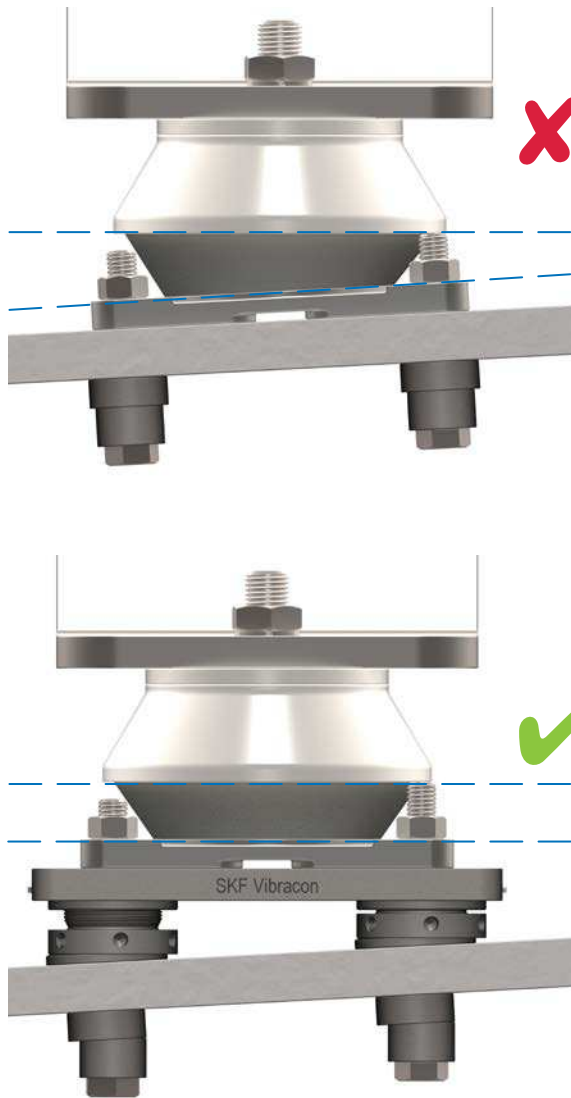
© SKF is a registered trademark of the SKF Group.

© SKF Group 2017  
The contents of this publication are the copyright of the publisher and may not be reproduced (even extracts) unless prior written permission is granted. Every care has been taken to ensure the accuracy of the information contained in this publication but no liability can be accepted for any loss or damage whether direct, indirect or consequential arising out of the use of the information contained herein.

PUB 43/P2 16778/2 EN · August 2017

# Resilient chocking to the next level

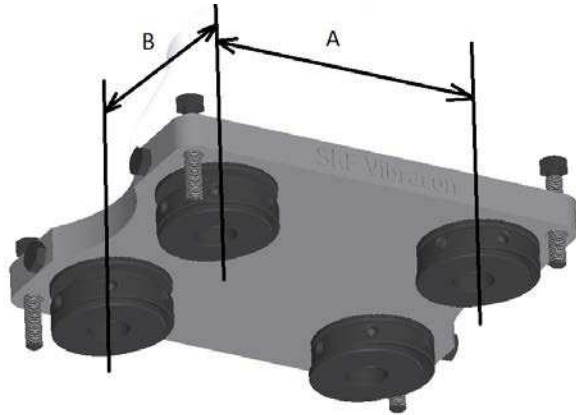
SKF Vibracon kit for resilient mounts



### Benefits

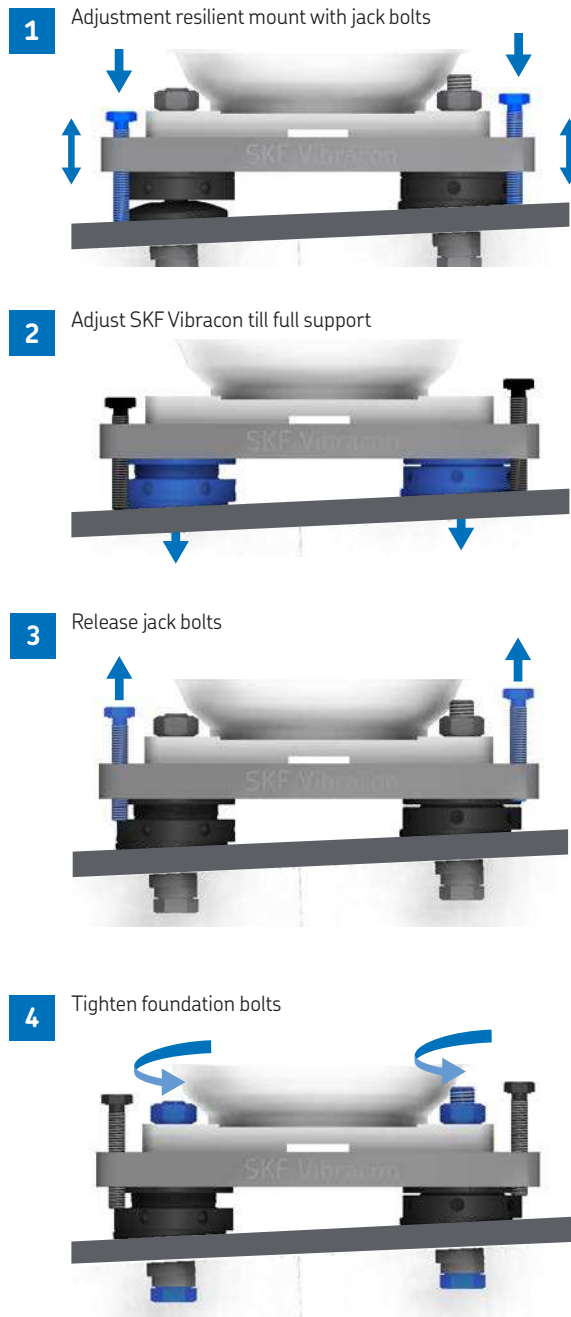
- Universal chocking solution
- Quick and easy installation
- Slope & angular compensation
- Height adjustable
- Re-adjustable
- Re-usable
- Clean & environmental friendly
- No special installation skills required
- All in 1 box
- Based on original SKF Vibracon

## Product details



	A	B	Height	
			min	max
SM BP4 16CST	190	140	40	50
SM BP4 16LPAST	190	140	25	35
SM BP4 20CST	205	150	45	55
SM BP4 20LPAST	205	150	25	35
	(all dimensions in mm)			

## Installation procedure



## All in the box



Compatible with:

SM BP4-16 type: Evolo631/RD314/RD315/RD344/T35/T60

SM BP4-20 type: Evolo633/RD214/RD215/RD244/T50/T90

Larger sizes on request

Foundation bolts in the box for foundation thickness 20–50mm