

Grease Pump Units

For progressive and multiline systems,
manually, pneumatically or hydraulically actuated

PF-23-2



PFP-23-2



PFH-23-2



Single- and dual-circuit piston pumps are designed for the operation of centralized lubrication systems with progressive feeders on small and medium-size machines and equipment.

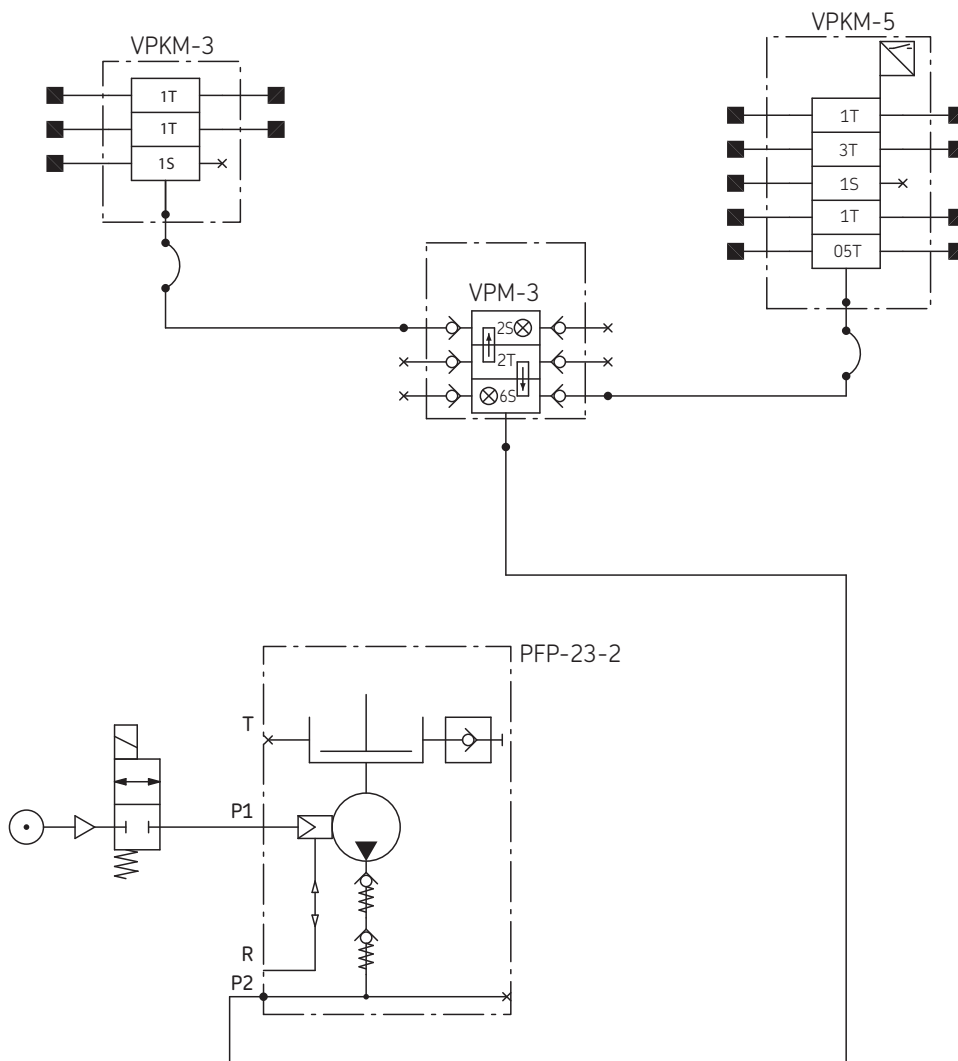
The follower piston employed under atmospheric pressure in the lubricant reservoirs makes it possible to use grease up to NLGI grade 2 at temperatures ranging from +10 °C to +60 °C.

Please note!

At temperatures below +10 °C, it is necessary to avoid damages to use pumps equipped with follower pistons pressurized by compressed air, see PFP-23-2-S1 and PFP-23-22-S1 on page 6.

Practical example

Progressive system with pneumatically actuated grease pump unit



PF-23-2, PF-23-22 with follower piston at atmospheric pressure manually actuated

Order No.	Number of outlet ports	Delivery rate [cm ³] per port/stroke	
		P2	P3
PF-23-2	1	2.5 *	2.5 *
PF-23-22	2	1.25 **	1.25 **

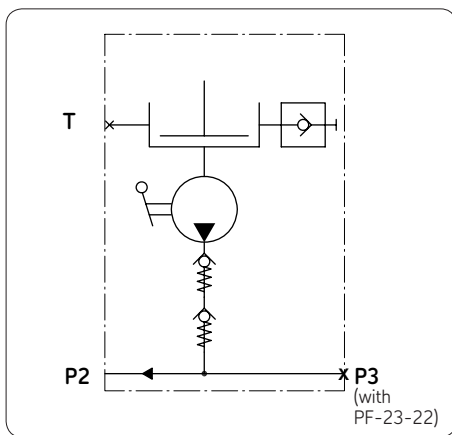
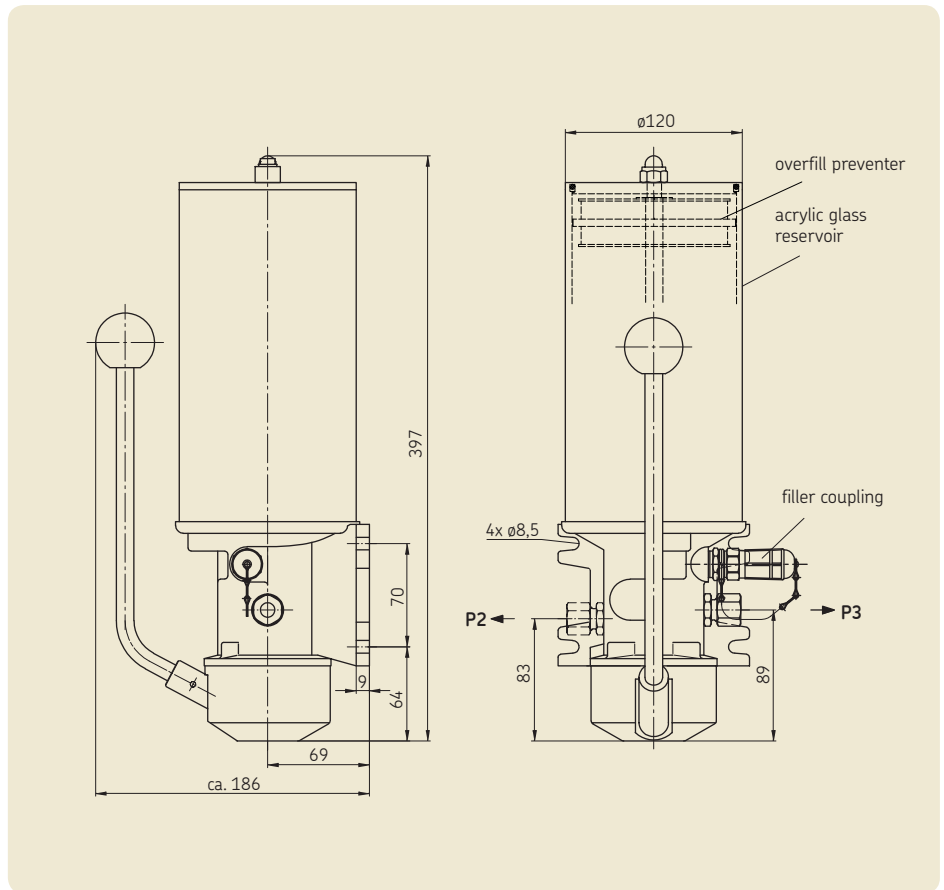
* Optional with P2 or P3
(one outlet port closed by plug)

** Both outlet ports have to be used.

Use connection fittings with cutting-sleeve screw unions to DIN 2353.

Technical data

Reservoir capacity 1.5 kg
 Reservoir Material acrylic glass
 Operating pressure with manual force ≈ 20 kg max. 100 bars
 Lubricant grease up to NLGI grade 2
 Temperature range +10 to +60 °C
 Mounting position vertical



P2, P3 = main lines to system (ø 10 tubing)
T = return to tank

Grease topped up via filler coupling
 Order No. for coupling socket: **995-001-500**
 Order No. for grease topping-up pump: **169-000-004**

See important product usage information on the back cover.

PFH-23-2, PFH-23-22 with follower piston at atmospheric pressure

hydraulically actuated

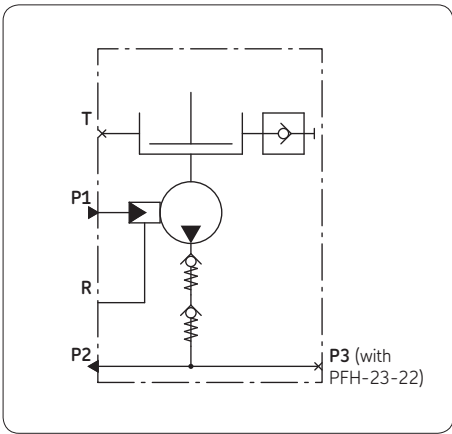
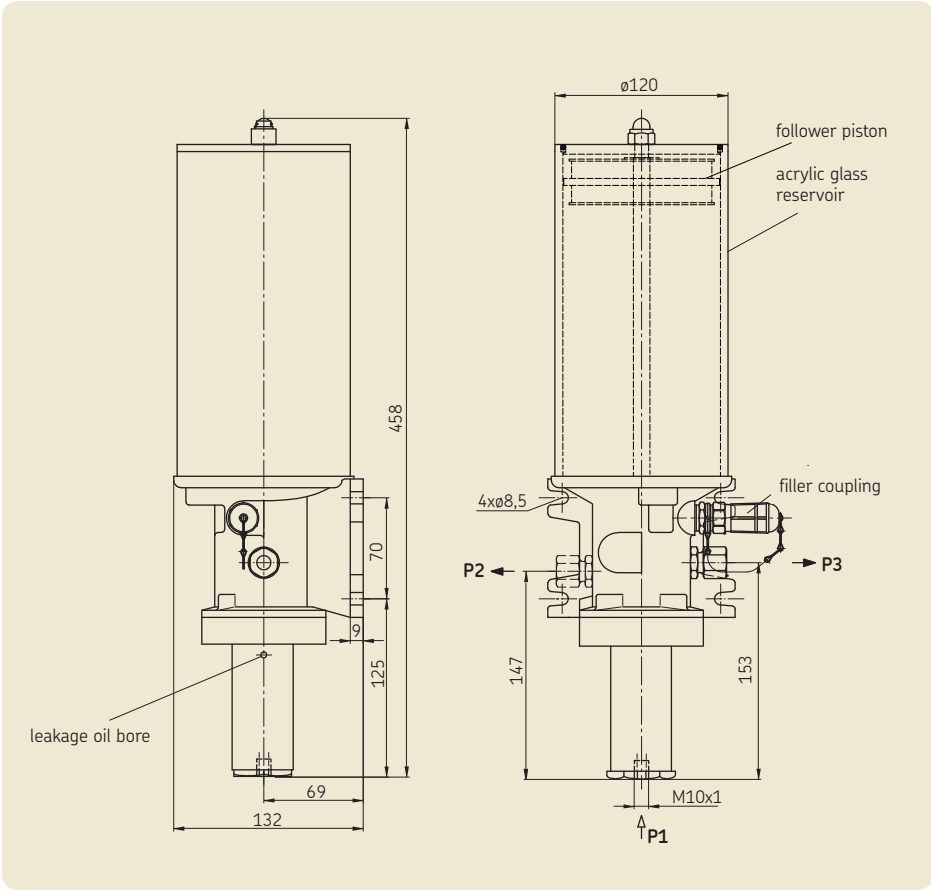
Order No.	Number of outlet ports	Delivery rate [cm ³] per port/stroke	
		P2	P3
PFH-23-2	1	2.5 *	2.5 *
PFH-23-22	2	1.25 **	1.25 **

* Optional with P2 or P3 (one outlet port closed by plug)
 ** Both outlet ports have to be used.

Use connection fittings with cutting-sleeve screw unions to DIN 2353.

Technical data

Reservoir capacity 1.5 kg
 Reservoir material acrylic glass
 Operating pressure as a function of P1 max. 200 bars
 Operating pressure P1 6 to 30 bars
 Actuating piston with resetting spring
 Area ratio: force/lubrication . . . 7:1
 Lubricant grease up to NLGI grade 2
 Temperature range +10 to +60 °C
 Mounting position vertical



- P1** = pressurized oil or compressed-air port
- P2, P3** = main line to system (ø 10 tubing)
- T** = return to tank

Grease topped up via filler coupling
 Order No. for coupling socket: **995-001-500**
 Order No. for grease topping-up pump: **169-000-004**

PFP-23-2, PFP-23-22 with follower piston at atmospheric pressure

pneumatically actuated

Order No.	Number of outlet ports	Delivery rate [cm ³]	
		P2	P3
PFP-23-2	1	2.5 *	2.5 *
PFP-23-22	2	1.25 **	1.25 **

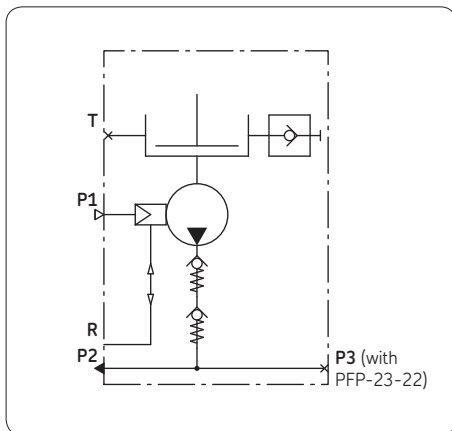
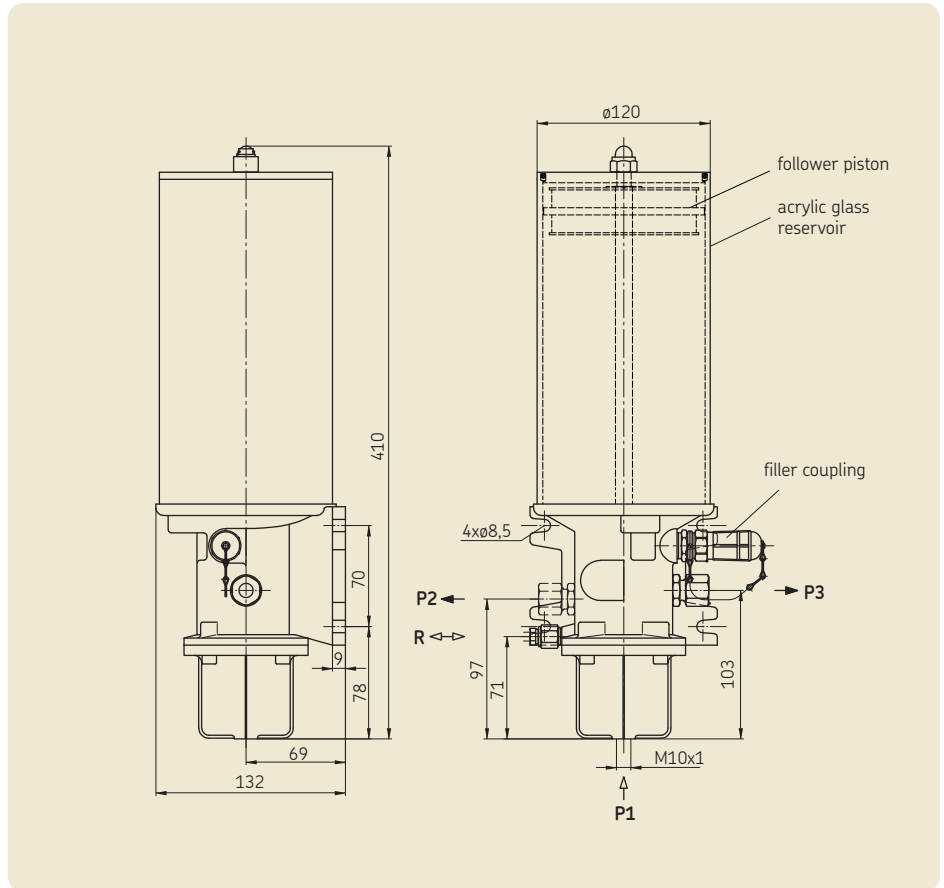
* Optional with P2 or P3
(one outlet port closed by plug)

** Both outlet ports have to be used.

Use connection fittings with cutting-sleeve screw unions to DIN 2353.

Technical data

Reservoir capacity 1.5 kg
 Reservoir material acrylic glass
 Operating pressure as a function of the air pressure max. 190 bars
 Actuating pressure for pump 6 to 10 bars
 Actuating piston with resetting spring
 Area ratio: force/lubrication 20:1
 Lubricant grease up to NLGI grade 2
 Temperature range +10 to +60 °C
 Mounting position vertical



- P1** = pressurized oil or compressed-air port
- P2, P3** = main line to system (ø 10 tubing)
- R** = air compensation line
- T** = return to tank

Grease topped up via filler coupling
 Order No. for coupling socket: **995-001-500**
 Order No. for grease topping-up pump: **169-000-004**

PFP-23-2-S1, PFP-23-22-S1 with piston pump pressurized by compressed air pneumatically actuated

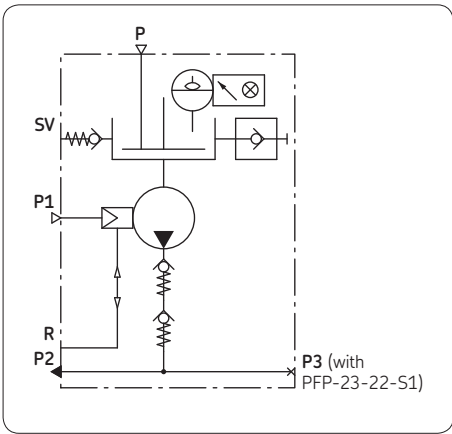
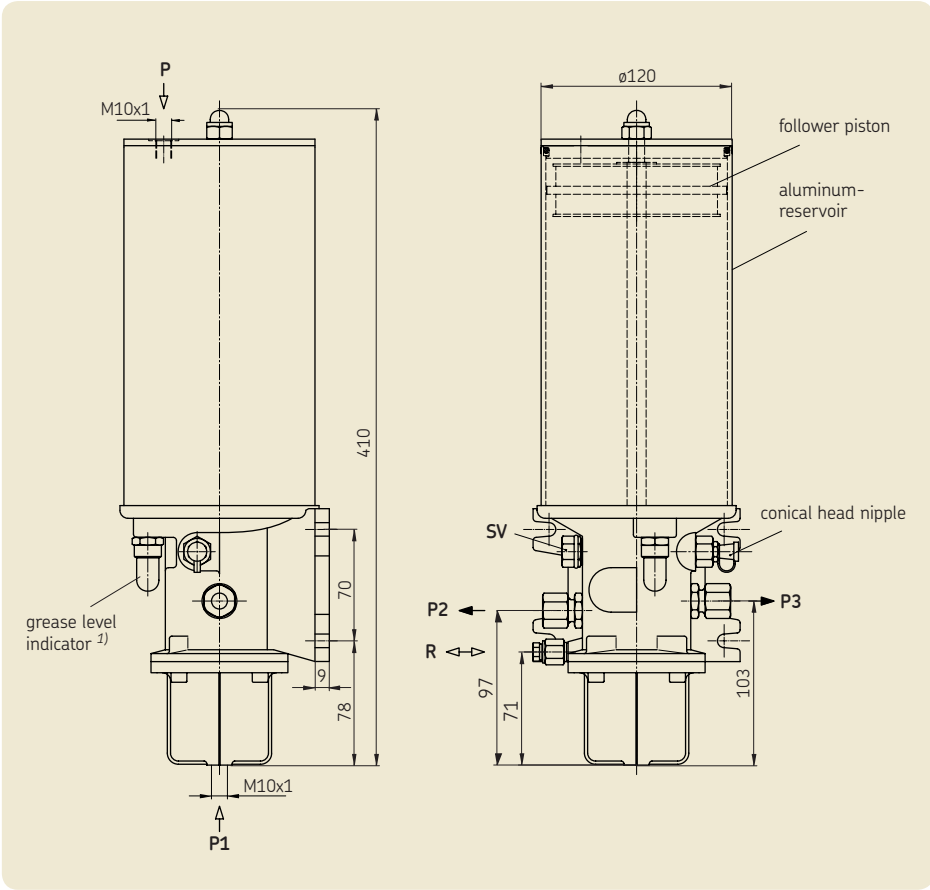
Order No.	Number of outlet ports	Delivery rate [cm ³] per port/stroke	
		P2	P3
PFP-23-2-S1	1	2.5 *	2.5 *
PFP-23-22-S1	2	1.25 **	1.25 **

* Optional with P2 or P3 (one outlet port closed by plug)
 ** Both outlet ports have to be used.

Use connection fittings with cutting-sleeve screw unions to DIN 2353.

Technical data

Reservoir capacity 1.5 kg
 Reservoir material Al Mg5 F32
 Operating pressure as a function of the air pressure max. 190 bars
 Actuating pressure for pump and follower piston 6 to 10 bars
 Actuating piston with resetting spring
 Area ratio: force/lubrication 20:1
 Lubricant grease up to NLGI grade 2
 Temperature range -25 to +80 °C
 Mounting position vertical and horizontal



1) Pin protrudes in sight glass when grease at minimum level.
 An electric warning switch can be used in addition.

- P** = line from compressed-air network to load follower piston (max. 10 bars)
- P1** = compressed-air port
- P2, P3** = main lines to system (ø 10 tubing)
- R** = air compensation line
- SV** = overflow valve

Grease topped up via conical head nipple DIN 71412-AM 10x1

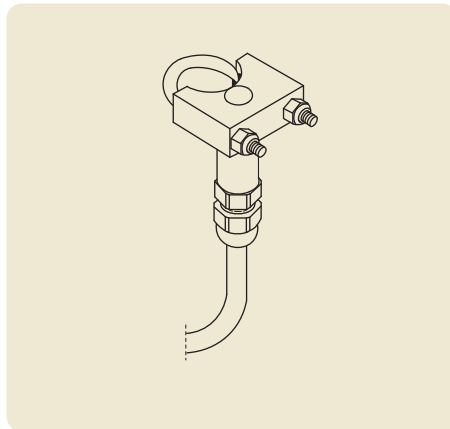
Topping-up pump:
 Customary low-pressure grease gun, pneumatically actuated, with button-head fitting for conical head nipple DIN 71412

Warning switch

Supplementary unit for emission of an electrical signal when grease drops to minimum level

Technical data

Order No. **WS298**
Reed contact load 18 VA, 12 W
Switching voltage 50 V AC/ 120 V DC
Switching current max. 0.8 A AC/DC
2-core cable length \approx 5 m



Order No. 1-0107-4-EN

Subject to change without notice! (10/2019)

Important product usage information

All products from SKF may be used only for their intended purpose as described in this brochure and in any instructions. If operating instructions are supplied with the products, they must be read and followed.

Not all lubricants are suitable for use in centralized lubrication systems. SKF does offer an inspection service to test customer supplied lubricant to determine if it can be used in a centralized system. SKF lubrication systems or their components are not approved for use with gases, liquefied gases, pressurized gases in solution and fluids with a vapor pressure exceeding normal atmospheric pressure (1013 mbars) by more than 0.5 bar at their maximum permissible temperature.

Hazardous materials of any kind, especially the materials classified as hazardous by European Community Directive EC 67/548/EEC, Article 2, Par. 2, may only be used to fill SKF centralized lubrication systems and components and delivered and/or distributed with the same after consulting with and receiving written approval from SKF.

Further brochures

- 1-3013-EN to 1-3017-EN Progressive feeders
- 1-0107-5-EN Pison pumps (PHU, PPU)
- 1-0107-6-EN Accessories for progressive feeders
- 1-4002-1-EN Motor-driven pump unit GSJB
- 1-9201-EN Transport of Lubricants in Centralized Lubrication Systems
- DSK2-008-00-EN Grease lubricating pump (FF)
- DSK2-005-00-EN Grease lubricating pump (FB)

SKF Lubrication Systems Germany GmbH

Motzener Strasse 35/37 · 12277 Berlin · Germany
PF 970444 · 12704 Berlin · Germany
Tel. +49 (0)30 72002-0 · Fax +49 (0)30 72002-111
www.skf.com/lubrication

This brochure was presented by:

® SKF is a registered trademark of the SKF Group.

© SKF Group 2019

The contents of this publication are the copyright of the publisher and may not be reproduced (even extracts) unless prior written permission is granted. Every care has been taken to ensure the accuracy of the information contained in this publication but no liability can be accepted for any loss or damage whether direct, indirect or consequential arising out of the use of the information contained herein.

