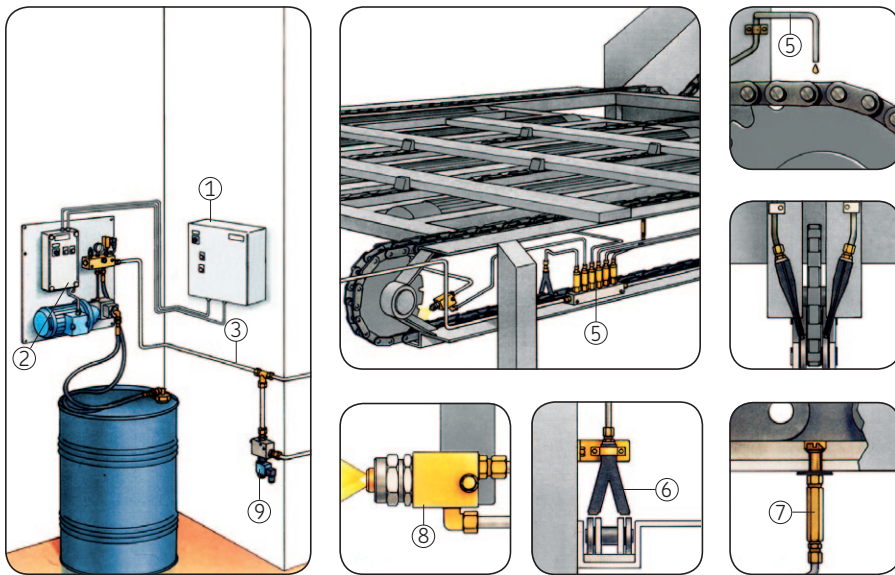


Pumping centre, OS-2000

for SKF MonoFlex, single-line lubrication systems



The pumping centre OS-2000 is designed for cyclic lubrication of oil-lubricated chains, guides, sliding surfaces and bearings. The system provides significant wear reduction for machines and their components, thus playing a decisive role in the minimization of production downtime.

Application

- 1 Control center series ST-1100i, 1240, 1340 or 1440
- 2 Pumping centre, series OS-2000
- 3 Main supply line
- 4 Dosing module series B-dosers, OS-3-Zn or OS-4-Zn
- 5 Lubrication line
- 6 Lubrication brushes

- 7 Sliding surface nozzle
- 8 Spray nozzle
- 9 Remote-controlled shut-off valve

The system functions as follows:

The control center starts the pump, whereby the pressurized lubricant is forced along the headers to the dosing modules. From the dosing units, the lubricating oil is applied to the lubrication point by either direct dripping and/or by using different types of oil accessories such as lubricating brushes, spray and sliding surface nozzles featuring optimum tribological design. Check valves located in the lubrication center prevent oil drainage from the piping even during prolonged shutdown.

© SKF is a registered trademark of the SKF Group.

© SKF Group 2013

The contents of this publication are the copyright of the publisher and may not be reproduced (even extracts) unless prior written permission is granted. Every care has been taken to ensure the accuracy of the information contained in this publication but no liability can be accepted for any loss or damage whether direct, indirect or consequential arising out of the use of the information contained herein.

PUB LS/P2 11085/2 EN · January 2013

