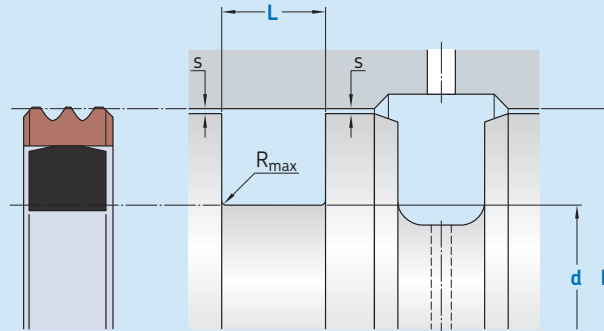


# DR10-FS



Ordering dimensions in **blue**

Surface roughness	$R_{tmax}$	$R_a$
Sliding surface	$\leq 2 \mu m$	0,05–0,3 $\mu m$
Bottom of groove	$\leq 6,3 \mu m$	$\leq 1,6 \mu m$
Groove face	$\leq 15 \mu m$	$\leq 3 \mu m$

Hardness: On the surface min 55 HRC, hardened depth > 0,3 mm.  
Bearing area: 50–95% and a cutting depth of 0,5  $R_z$  based on  $C_{ref} = 0\%$

Standard dimensions					Maximal radial extrusion gap		
D	d	L	$R_{max}$	$s^{1)}$			
H8	h8	+ 0,2			100 bar	200 bar	350 bar
over	incl.				mm		
mm					mm		
15	50	D – 10	5	0,4	0,25	0,2	0,10
50	60	D – 15	7,5	0,4	0,3	0,25	0,10
60	200	D – 20	10	0,4	0,3	0,25	0,15

<sup>1)</sup> Extrusion gap values shown above are valid for a temperature of 80 °C, higher temperatures require lower values.

## Ordering example

Profile  
D x d x L [mm]  
Sealing material / Energizer

Rotary seal DR10-FS  
100 x 80 x 10  
SKF Ecoptfe / SKF Econbr

## Operating parameters

Material Seal	Energizer	Temperature		Speed <sup>1)</sup>	Pressure <sup>2)</sup>
		from	to	max	max
–		°C		m/s	bar (MPa)
■ SKF Ecoptfe	■ SKF Econbr	–30	+100	0,4	350 (35)
■ SKF Ecoptfe	■ SKF Ecofkm	–20	+200	0,4	350 (35)

IMPORTANT NOTE: The stated operating conditions represent general indications. It is recommended not to use all maximum values simultaneously.

<sup>1)</sup> Surface speed limit values are valid only in the presence of a lubrication film.

<sup>2)</sup> Pressure ratings depend on the size of the extrusion gap.