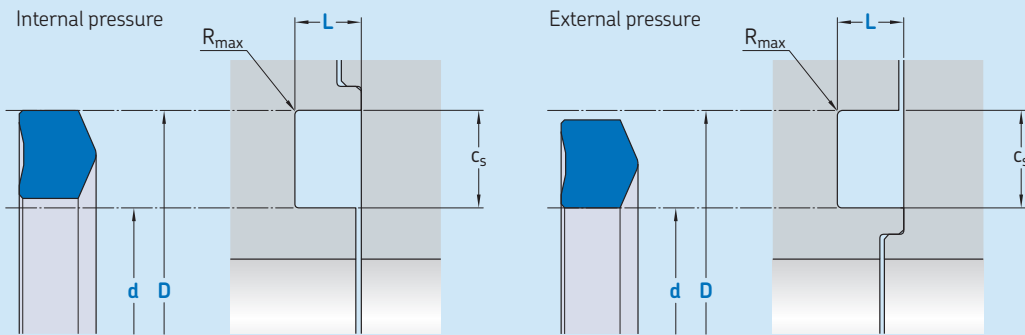


DR35-A



Ordering dimensions in **blue**

Surface roughness	R_{tmax}	R_a
Sliding surface	$\leq 2,5 \mu m$	0,1–0,5 μm
Bottom of groove	$\leq 6,3 \mu m$	$\leq 1,6 \mu m$
Groove face	$\leq 15 \mu m$	$\leq 3 \mu m$

Bearing area: 50–95% and a cutting depth of 0,5 R_z , based on $C_{ref} = 0\%$

Standard dimensions

Corresponding O-ring cord diameter OD AS 568A ¹⁾	ISO 3601 ²⁾	C_s	L	R
mm				
1,78	1,8	2	1,4	0,4
2,62	2,65	3	2,25	0,4
3,53	3,55	4	3,1	0,4
5,33	5,3	6	4,75	0,4
6,99	7	8	6,2	0,4

¹⁾ American standard

²⁾ DIN 3771

Minimum nominal inside diameter $d \geq 5$ mm.
Standard definition for this profile is inside pressure.

Ordering example

Profile
d x D x L [mm]
Sealing material

Rotary seal DR35-A
100 x 112 x 4,75
ECOPUR DD

Operating parameters

Material Seal	Temperature		Speed	Pressure
	from	to	max	max
–	°C		m/s	bar (MPa)
■ ECOPUR DD	–30	+100	only recommended for static application	800 (80)
■ SKF Econbr	–30	+100		250 (25)
■ SKF Ecofkm	–20	+200		250 (25)

IMPORTANT NOTE: The stated operating conditions represent general indications. It is recommended not to use all maximum values simultaneously.