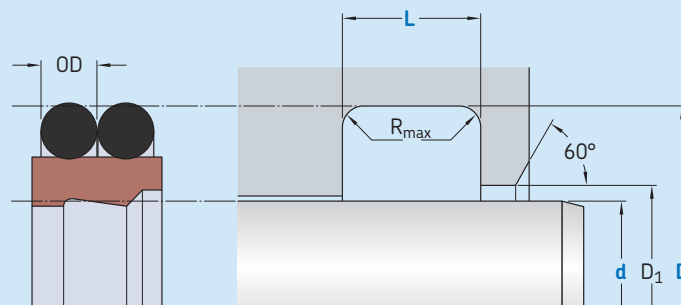


DA26-F



Ordering dimensions in **blue**

| Surface roughness | TPU | | PTFE | |
|-------------------|------------|----------|------------|----------|
| | R_{tmax} | R_a | R_{tmax} | R_a |
| | μm | | μm | |
| Sliding surface | ≤ 2,5 | 0,05–0,3 | ≤ 2 | 0,05–0,2 |
| Bottom of groove | ≤ 6,3 | ≤ 1,6 | ≤ 6,3 | ≤ 1,6 |
| Groove face | ≤ 15 | ≤ 3 | ≤ 15 | ≤ 3 |

Bearing area: 50–95% and a cutting depth of 0,5 R_z based on $C_{ref} = 0\%$

Standard dimensions

| d | D | OD | L | R_{max} | D_1 |
|------------|-------------|----------|-------|-----------|---------|
| f8 over | H9 incl. | | + 0,2 | | H11 |
| mm | | | | | |
| 5 | 30 | d + 7,6 | 1,78 | 4,2 | d + 1,0 |
| 30 | 80 | d + 8,8 | 2,62 | 6,3 | d + 1,5 |
| 80 | 120 | d + 12,2 | 3,53 | 8,1 | d + 2,0 |
| 120 | 200 | d + 16,0 | 5,33 | 11,5 | d + 2,0 |

Ordering example

Profile
d x D x L [mm]
Sealing material/ Energizer

Wiper DA26-F
70 x 78,8 x 6,3
SKF Eceptfe / NBR70

Operating parameters

| Material Glide ring | Energizer | Temperature | | Speed ¹⁾ |
|------------------------|-----------|-------------|------|---------------------|
| | | from | to | max |
| | | °C | | m/s |
| ■ SKF Ecoatfe | NBR70 | -30 | +100 | 10 |
| ■ SKF Ecoatfe | FPM75 | -20 | +200 | 10 |

IMPORTANT NOTE: The stated operating conditions represent general indications. It is recommended not to use all maximum values simultaneously.

The pressure on the standard version is limited to 16 bar.

¹⁾ Surface speed limit values are valid only in the presence of a lubrication film.