

Agricultural solutions

Bearing solutions from SKF and PEER





Solutions for tractors

- Front axle
- Kingpin
- Wheelends
- Rear PTO
- Rear axle pinion unit
- Engine variable fan drive
- Geared HUB unit
- Gearbox

SKF



DGBB explorer



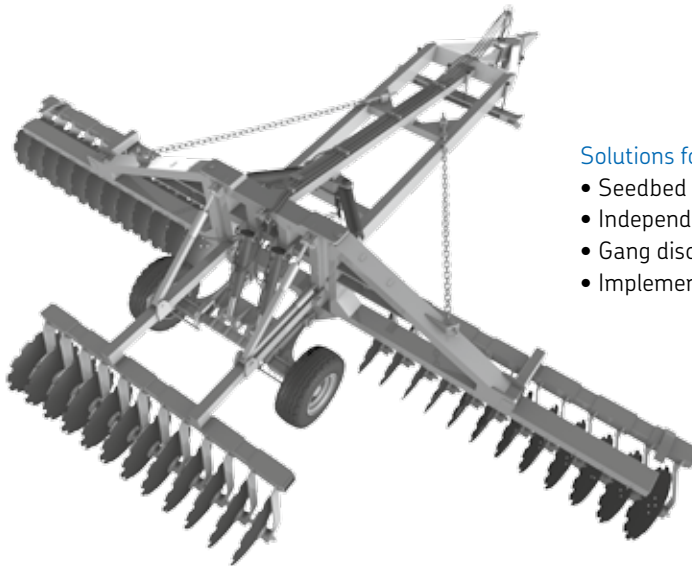
TRB explorer



CRB explorer



Pinion unit



Solutions for tillage

- Seedbed finisher
- Independent disc
- Gang disc
- Implement wheel

SKF



HUB bearings



PEER



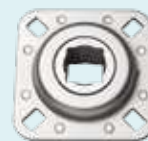
Gang disc



SKF

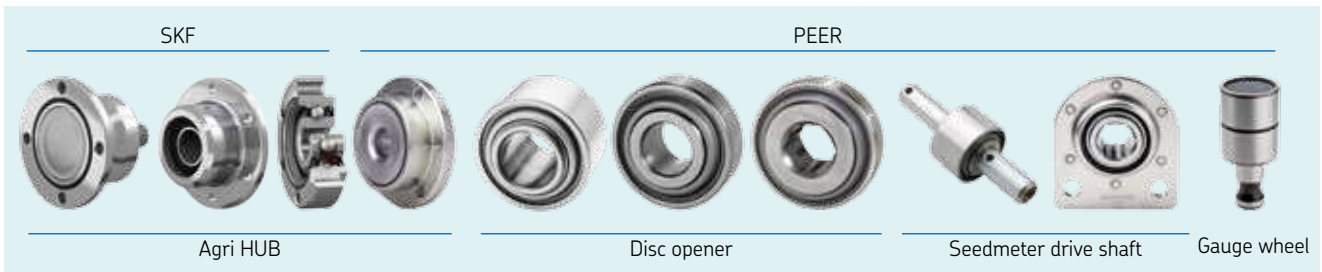
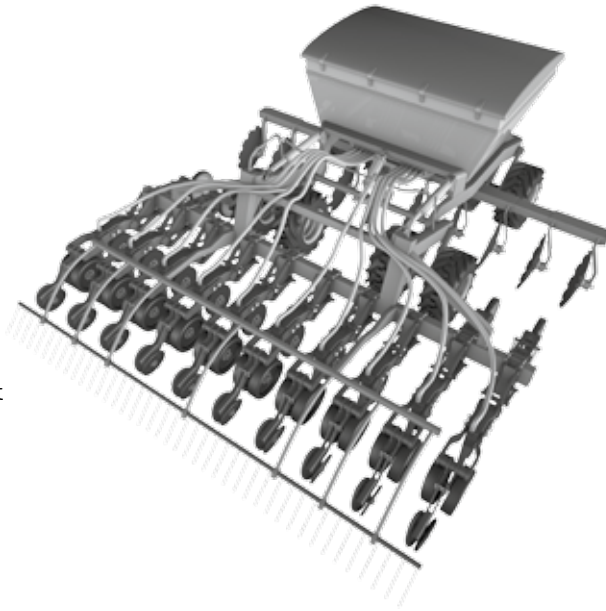


Seedbed finisher



Solutions for seeding

- Closing wheel
- Gauge wheel
- Additional application
- Disc opener
- Press wheel
- Implement wheel
- Seedmeter drive shaft
- Row marker



Solutions for harvesting

- Auger
- Draper head
- Corn head
- Header
- Header attachment
- Feeder
- Beater
- Threshing
- Chaffer
- Conveyor
- Wheel bearing
- Fan drive
- Engine cooling fan



skf.com | peerbearing.com

© SKF and PEER Bearing are registered trademark of the SKF Group.

© SKF Group 2017

The contents of this publication are the copyright of the publisher and may not be reproduced (even extracts) unless prior written permission is granted. Every care has been taken to ensure the accuracy of the information contained in this publication but no liability can be accepted for any loss or damage whether direct, indirect or consequential arising out of the use of the information contained herein.

PUB 46/P2 17666 EN · November 2017

Certain image(s) used under license from Shutterstock.com.